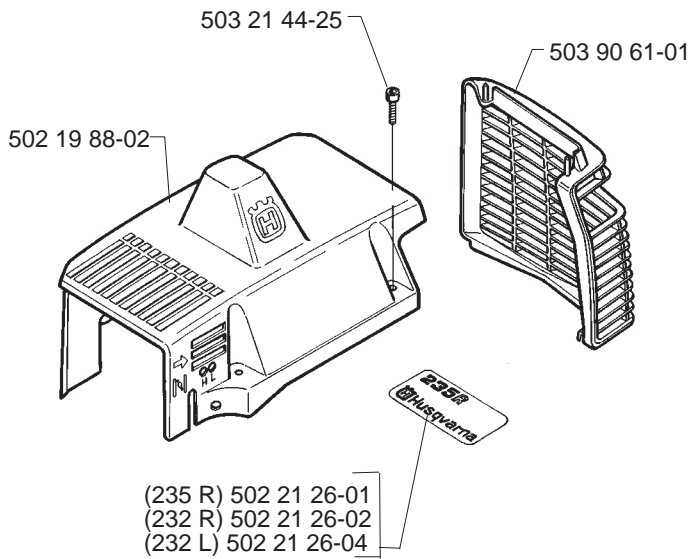
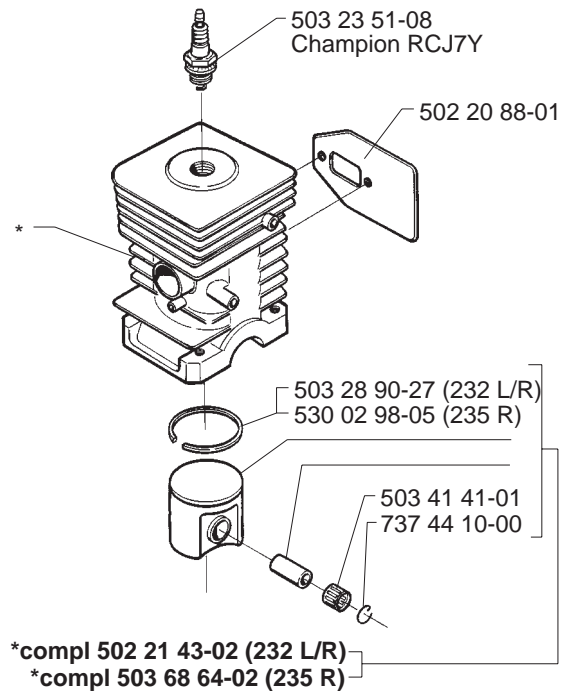
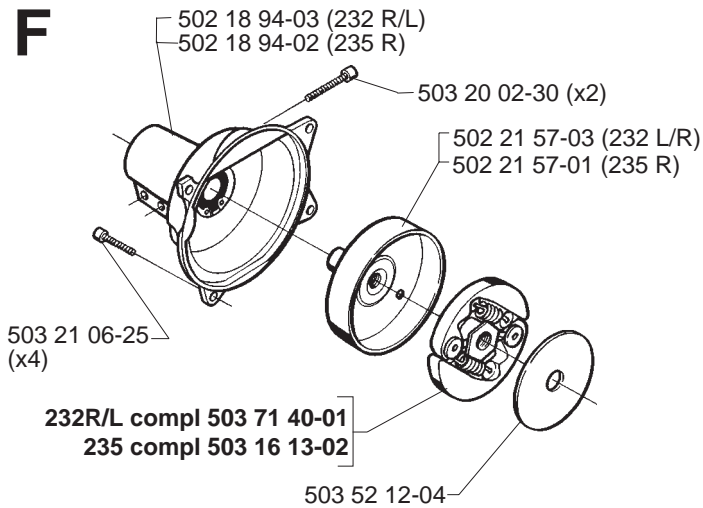
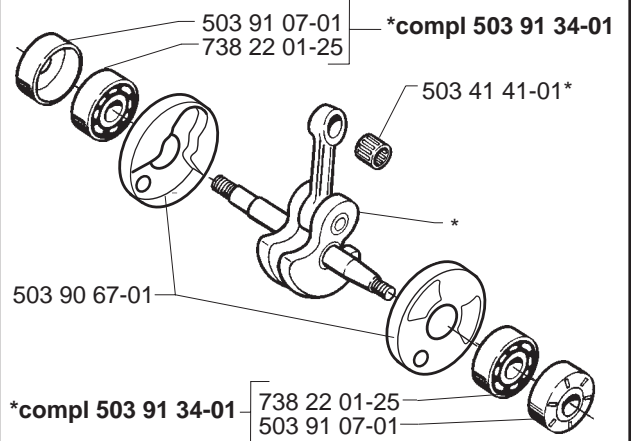
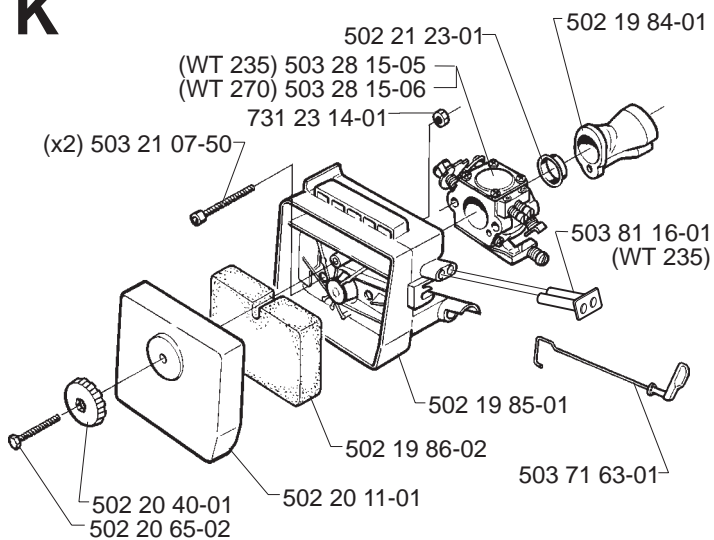


C**D**

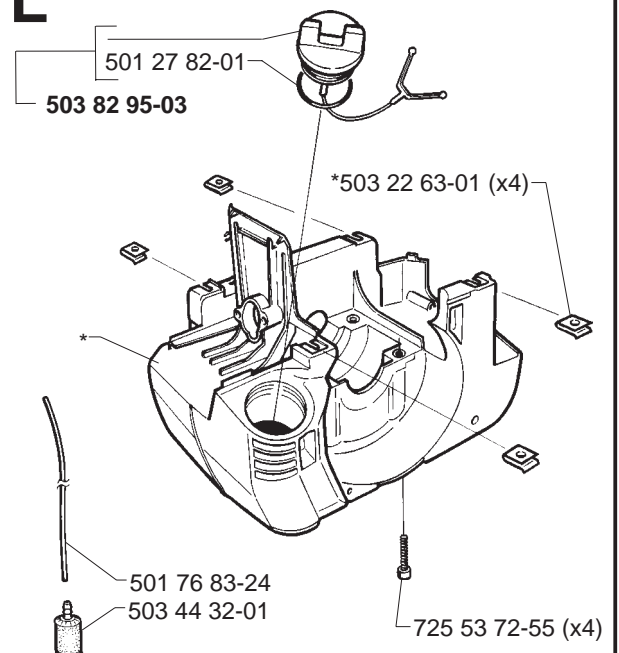
*compl 503 72 80-01 (232 L/R)
 *compl 503 69 46-01 (235 R)

**F****G**

*compl 502 21 28-03

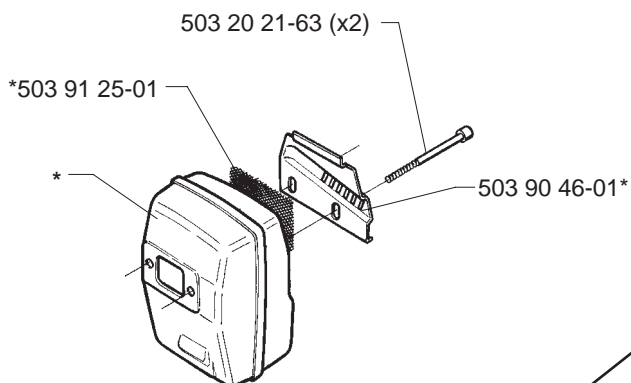
**K****L**

*compl 503 84 00-01

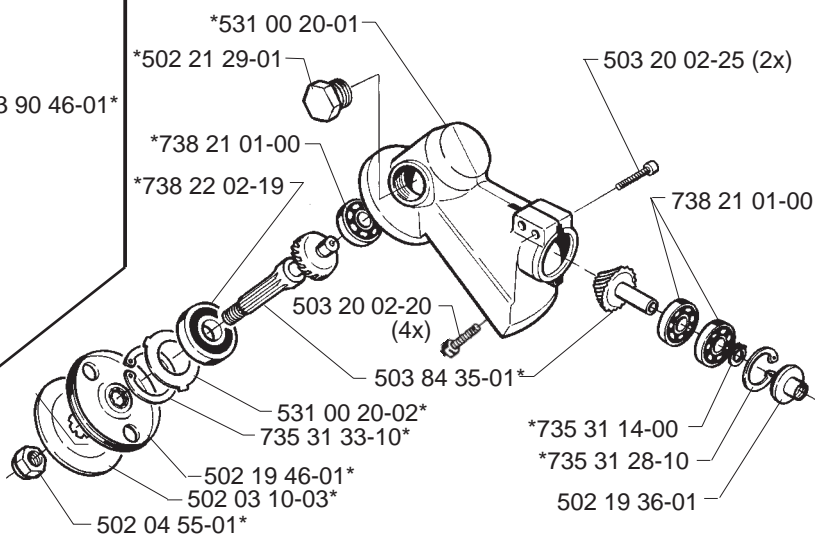


E

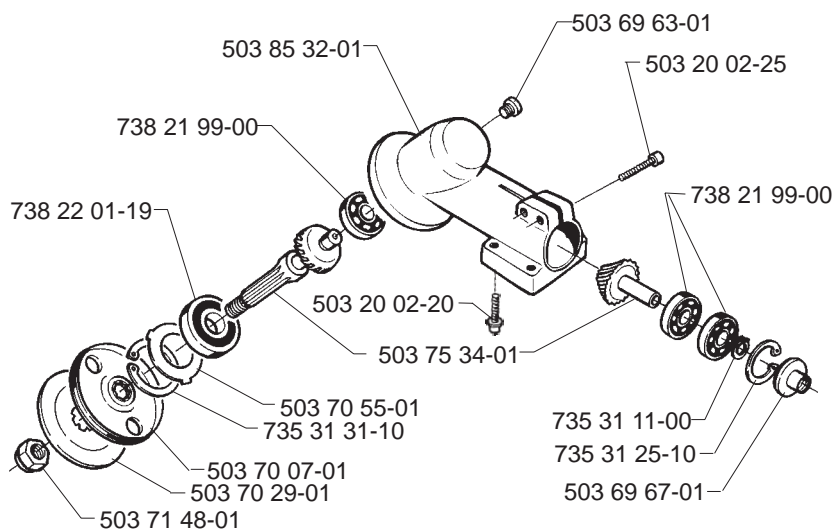
*compl 503 90 47-01

**B**

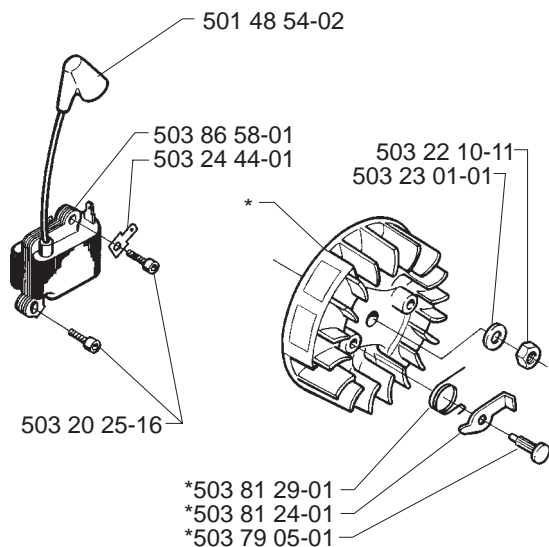
*compl 502 18 50-01

235 R**Q**

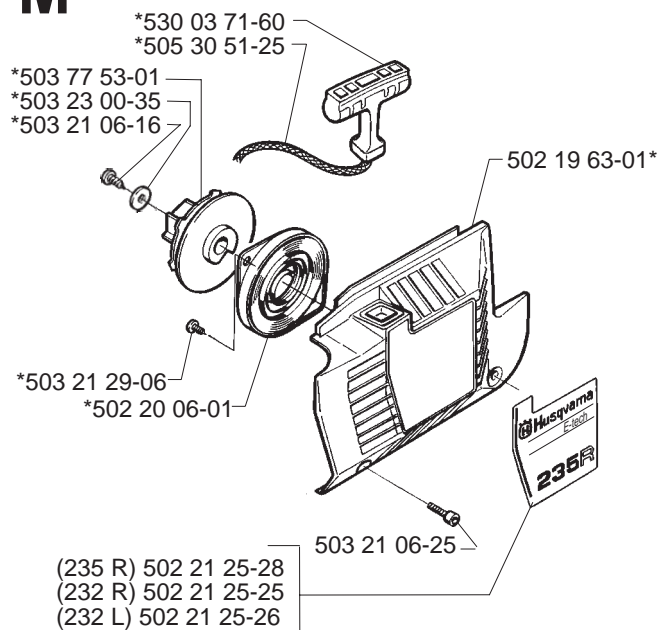
compl 502 21 92-03

232 R/L**H**

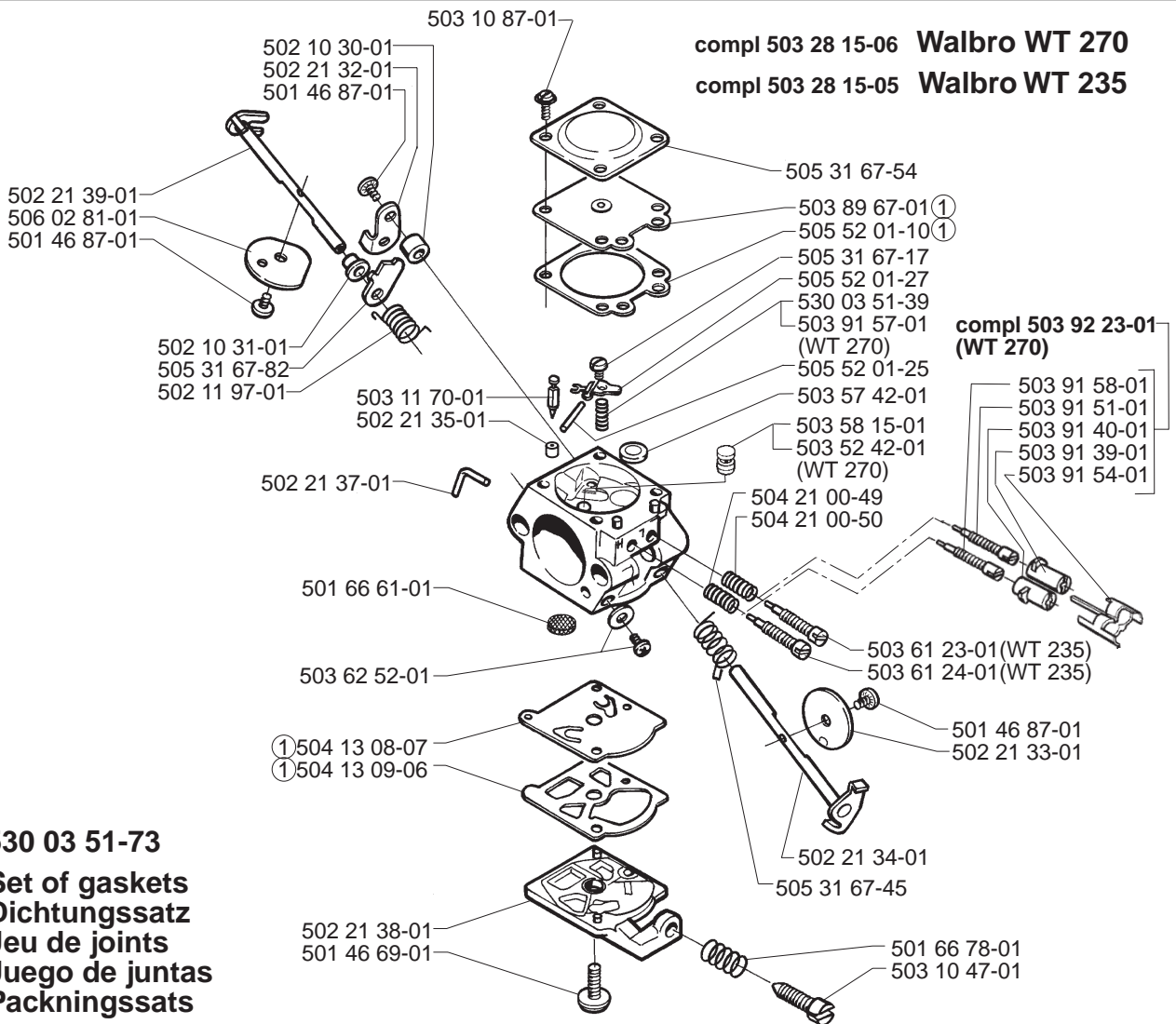
*compl 503 79 06-01

**M**

*compl 502 18 95-01



N



① **530 03 51-73**
Set of gaskets
Dichtungssatz
Jeu de joints
Juego de juntas
Packningsats

P

Accessories
Zubehöre
Accessoires
Accessorios
Tillbehör

